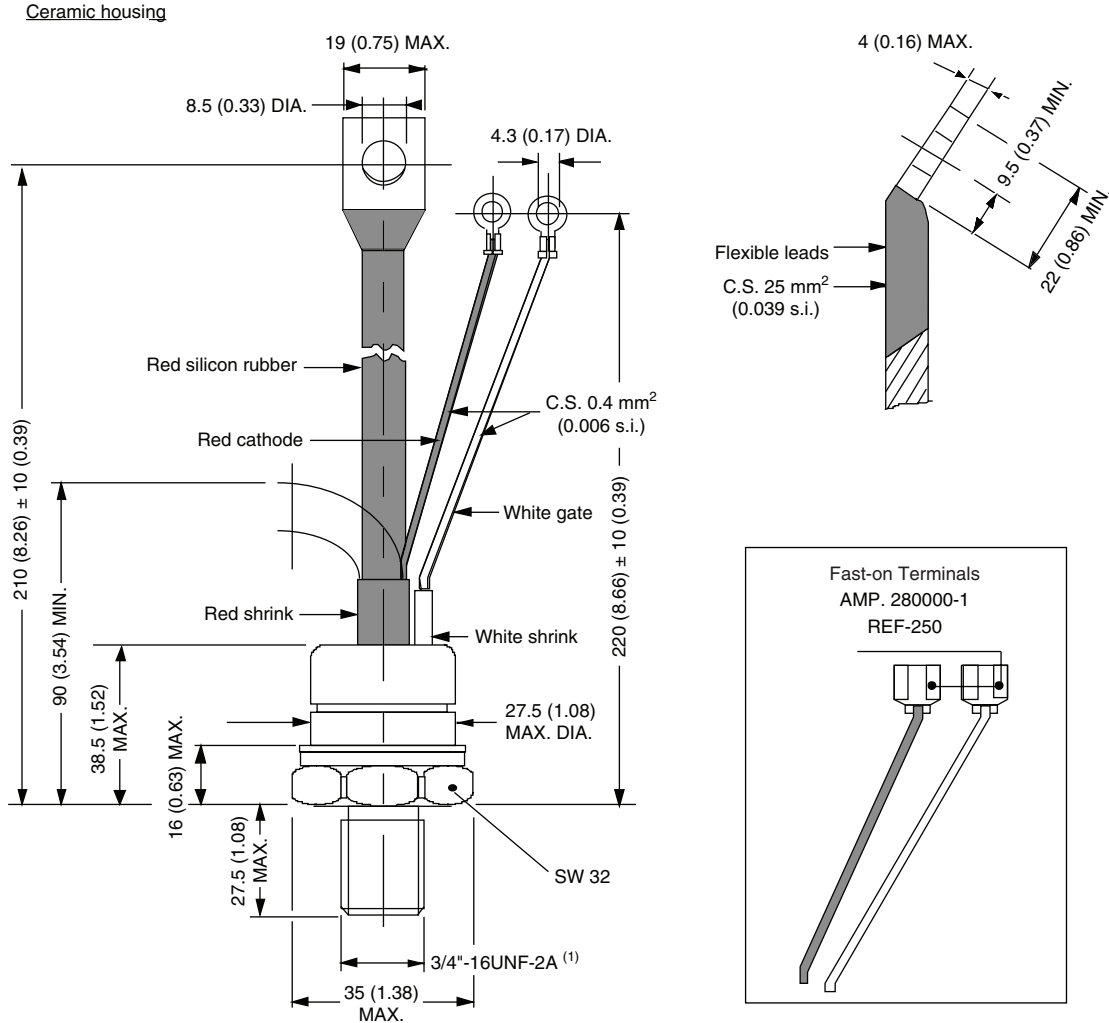


TO-209AB (TO-93), TO-209AB (TO-93) Flag

DIMENSIONS in millimeters (inches)

Case Style TO-209AB (TO-93)



Note

(1) For metric device: M16 x 1.5 - length 21 (0.83) maximum

Outline Dimensions

Vishay High Power Products

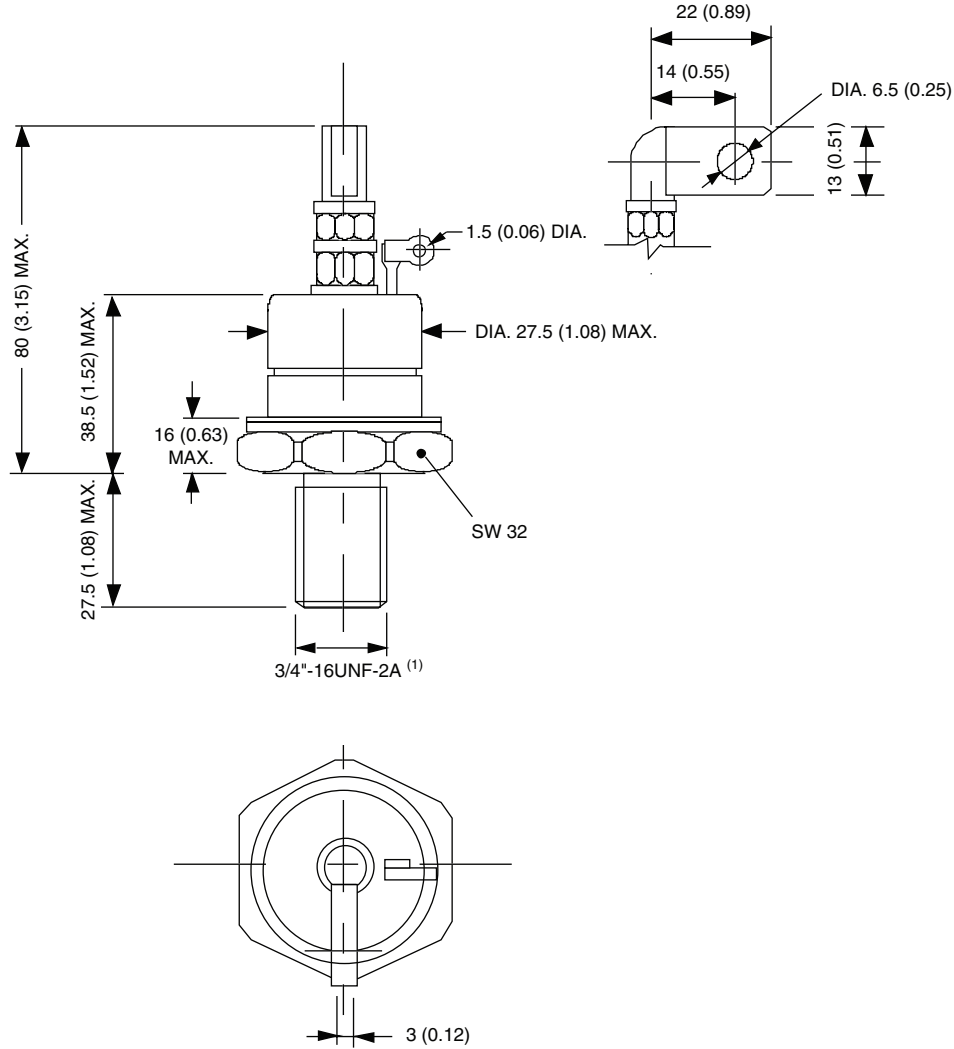
TO-209AB (TO-93),
TO-209AB (TO-93) Flag



DIMENSIONS in millimeters (inches)

Case Style TO-209AB (TO-93) Flag

Ceramic housing
Flag terminals



Note

⁽¹⁾ For metric device: M16 x 1.5 - length 21 (0.83) maximum